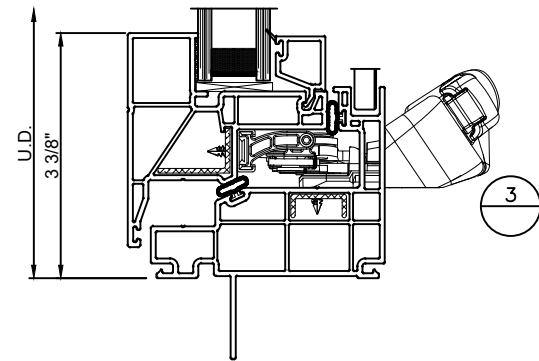
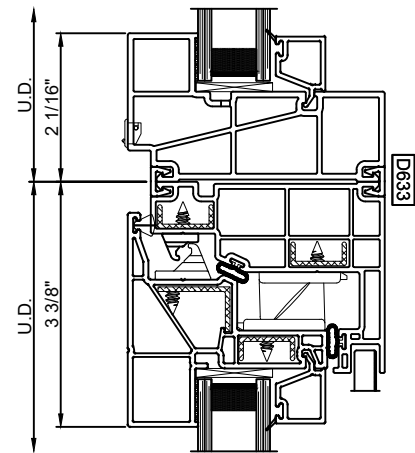


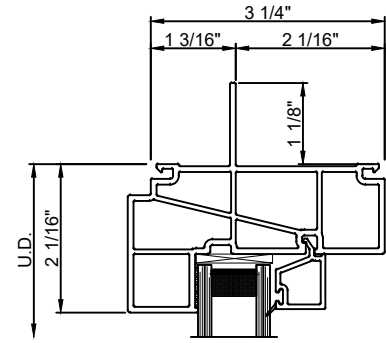
EXTERIOR



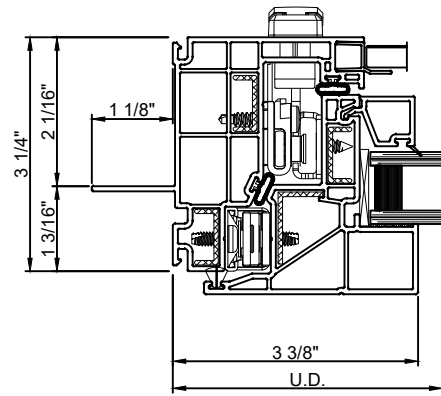
1



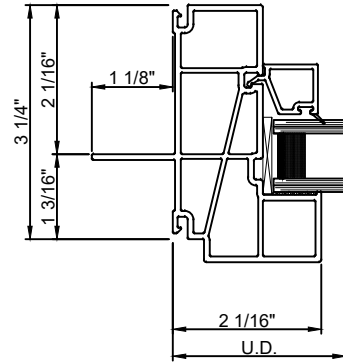
2



3

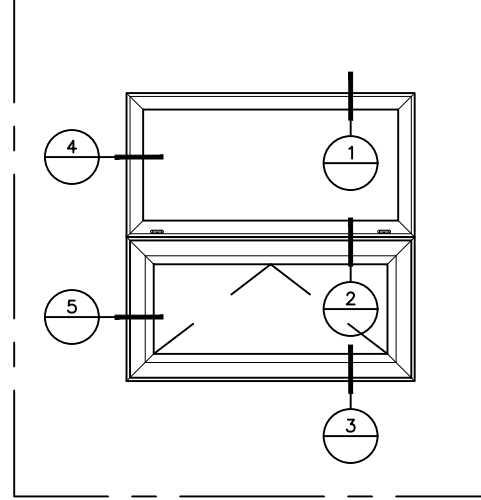


4



5

EXTERIOR



SERIES	V300
CONFIGURATION	NARROW FIXED OVER AWNING
INSTALLATION METHOD	NAIL FIN HORIZONTAL C-MULL
<p>Quaker reserves the right to change any/all designs without notice. Due to periodic re-certification requirements, result shown may vary. Installation methods shown are generic. No sealant shown on details. Accessory part numbers are shown on the cut sections. Contact Quaker if job specific details are required. This Document contains confidential and proprietary information intended for the private use of Quaker. 2015 Quaker Window Products Co., Inc. All rights reserved.</p>	

Description: **CUT DETAILS**

Project Name: **QUAKER DETAILS**

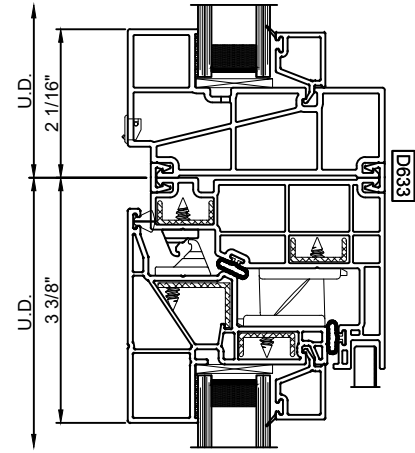
Q **QUAKER**
 C O M M E R C I A L

PHONE (573)-744-5211
 FAX (573)-744-5586
 COMMERCIAL
 FAX (573)-744-5822
 www.quakercommercialwindows.com

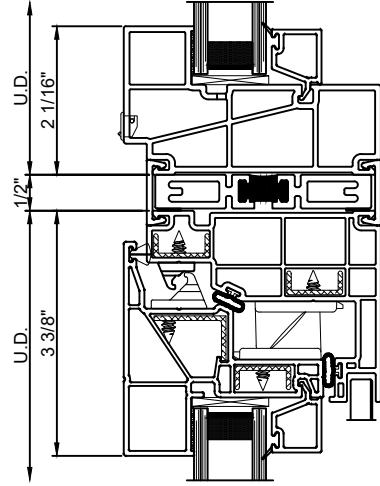
Drawn By: **QWP**
 Checked By: **----**
 Scale: **3/8"=1"**
 Sheet #: **C1**

Drawing Created 3/7/22

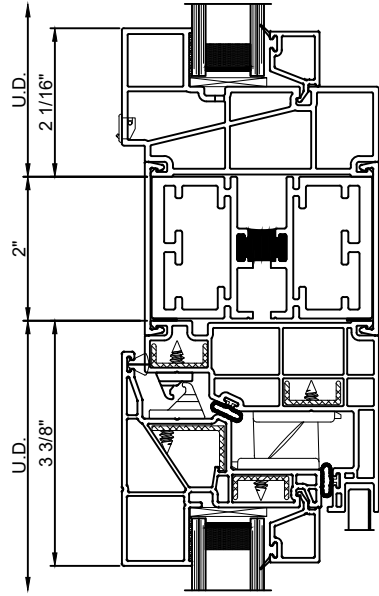
EXTERIOR



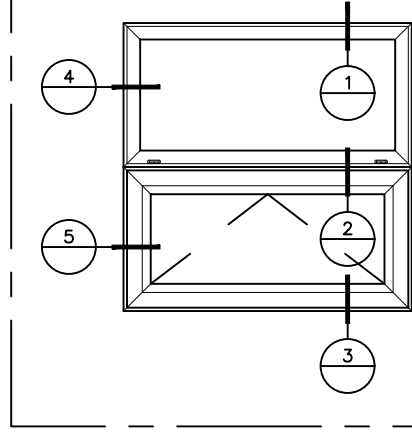
2



2



2



SERIES	V300
CONFIGURATION	NARROW FIXED OVER AWNING
INSTALLATION METHOD	HORIZONTAL MULL OPTIONS
<p>Quaker reserves the right to change any/all designs without notice. Due to periodic re-certification requirements, result shown may vary. Installation methods shown are generic. No sealant shown on details. Accessory part numbers are shown on the cut sections. Contact Quaker if job specific details are required. This Document contains confidential and proprietary information intended for the private use of Quaker. 2015 Quaker Window Products Co., Inc. All rights reserved.</p>	

Description: **CUT DETAILS**

PHONE (573)-744-5211
 FAX (573)-744-5586
 COMMERCIAL
 FAX (573)-744-5822
 www.quakercommercialwindows.com

Q **QUAKER** COMMERCIAL

504 Highway 63 South
 Freeburg, MO 65035

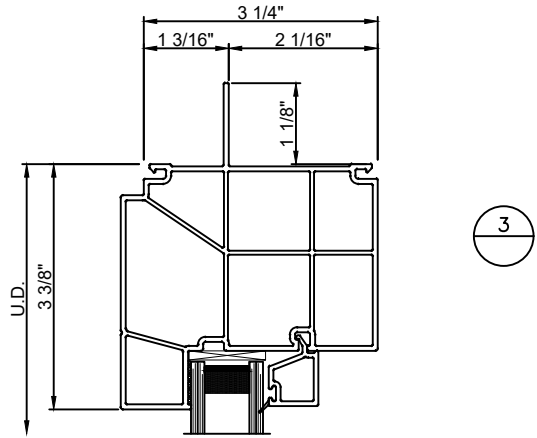
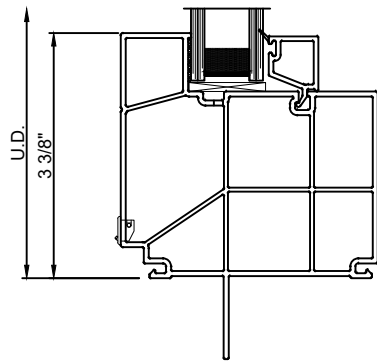
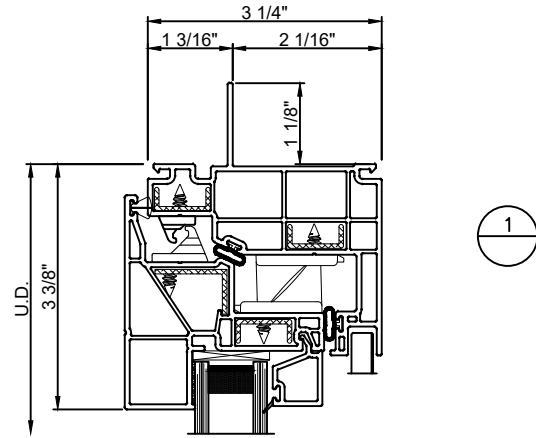
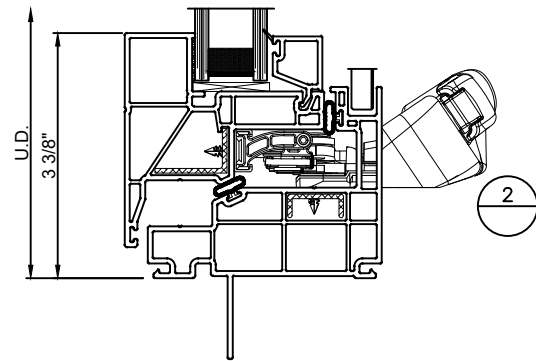
Drawn By: **QWP**
 Checked By: -----

Scale: 3/8"=1"
 Sheet #: **C2**

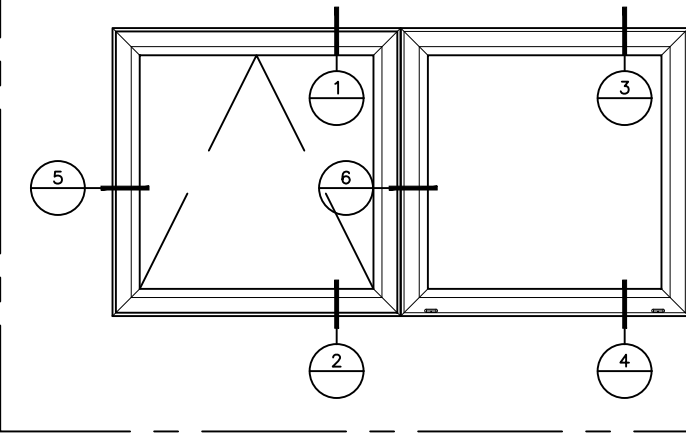
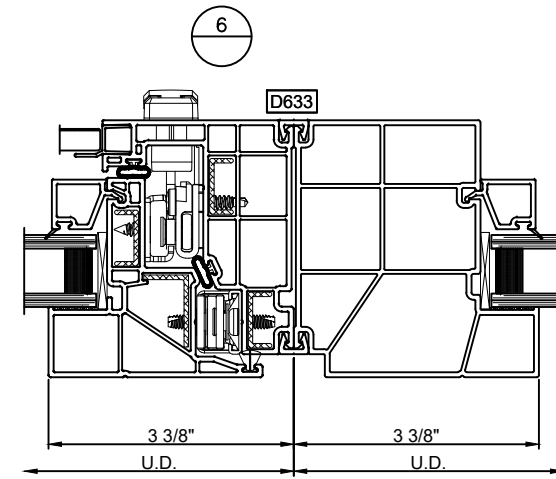
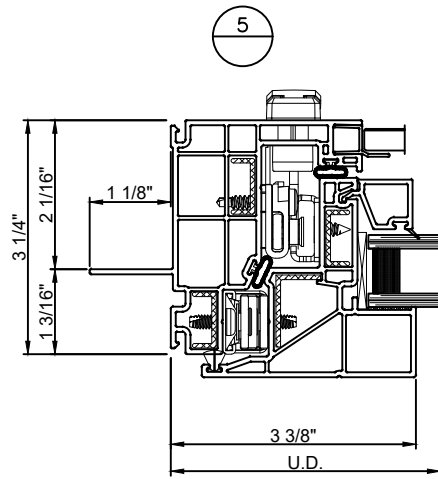
Drawing Created
 3/7/22

Project Name: **QUAKER DETAILS**

EXTERIOR



EXTERIOR



SERIES	V300
CONFIGURATION	AWNING - WIDE FIXED
INSTALLATION METHOD	NAIL FIN VERTICAL C-MULL
<p>Quaker reserves the right to change any/all designs without notice. Due to periodic re-certification requirements, result shown may vary. Installation methods shown are generic. No sealant shown on details. Accessory part numbers are shown on the cut sections. Contact Quaker if job specific details are required. This Document contains confidential and proprietary information intended for the private use of Quaker. 2015 Quaker Window Products Co., Inc. All rights reserved.</p>	

Project Name: **QUAKER DETAILS**

Description: **CUT DETAILS**

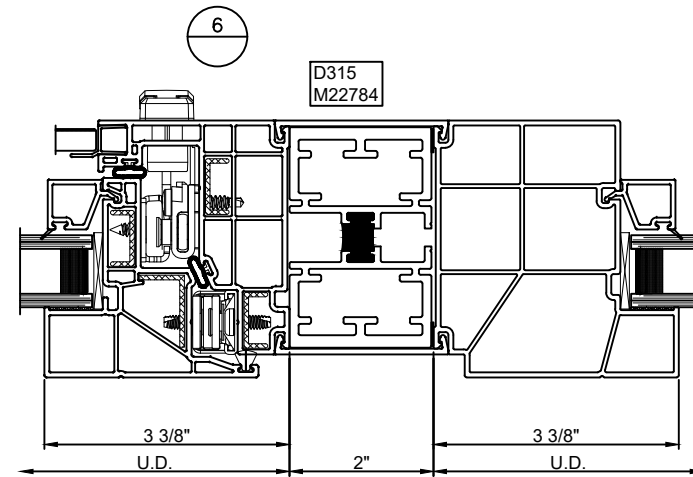
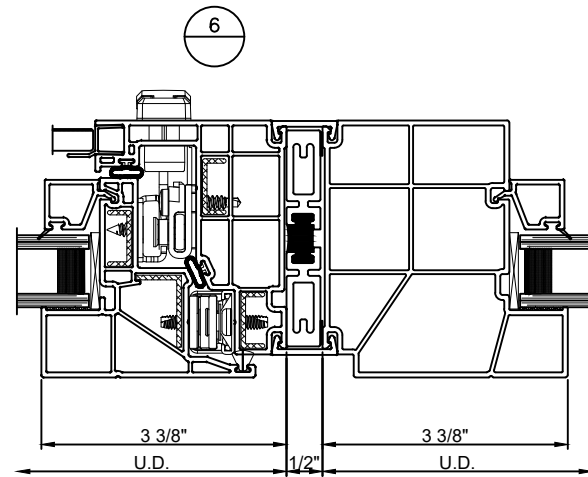
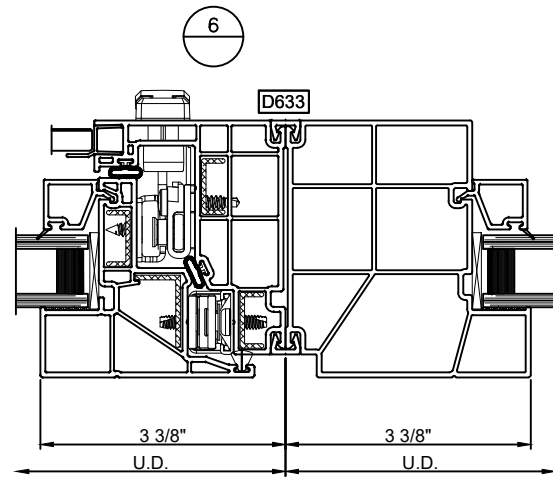
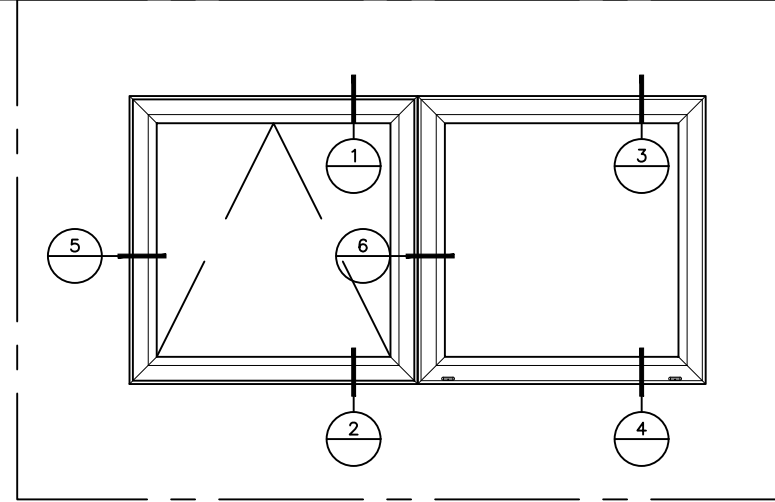
PHONE (573)-744-5211
 FAX (573)-744-5586
 COMMERCIAL
 FAX (573)-744-5822
 www.quakercommercialwindows.com

QUAKER
 C O M M E R C I A L

Drawn By: **QWP**
 Checked By: **----**
 Scale: **3/8"=1"**
 Sheet #: **C3**
 504 Highway 63 South
 Freeburg, MO 65035

Drawing Created
 3/7/22

SERIES	V300
CONFIGURATION	AWNING - WIDE FIXED
INSTALLATION METHOD	VERTICAL MULL OPTIONS
<p>Quaker reserves the right to change any/all designs without notice. Due to periodic re-certification requirements, result shown may vary. Installation methods shown are generic. No sealant shown on details. Accessory part numbers are shown on the cut sections. Contact Quaker if job specific details are required. This Document contains confidential and proprietary information intended for the private use of Quaker. 2015 Quaker Window Products Co., Inc. All rights reserved.</p>	



EXTERIOR

Project Name: **QUAKER DETAILS**

Description: **CUT DETAILS**

PHONE (573)-744-5211
 FAX (573)-744-5586
 COMMERCIAL
 FAX (573)-744-5822
 www.quakercommercialwindows.com

QUAKER
 C O M M E R C I A L

Scale: 3/8"=1"
 Sheet #: C4
 Drawn By: QWP
 Checked By: -----

Drawing Created
 3/7/22